



PROGRAMMABLE HIGH VOLTAGE POWER SUPPLY FOR PHOTODETECTOR BIASSING

- VERY LOW NOISE
- HERMETICALLY SEALED
- SMALL SIZE
- SHIELDED METAL CASE
- HIGH RELIABILITY



DESCRIPTION:

The **Model 523-1** provides a fixed or variable high-voltage source for photodetector biasing or similar applications. The power converter uses techniques to minimize sharp switching transients which can interfere with sensitive circuits. Output voltage may be programmed by an external 0 to 4.5 volt source. To ensure low EMI levels, the output is filtered and the module is hermetically sealed in a non-isolated metal case. See interface description for detailed mechanical drawing and pinout configuration.

SPECIFICATIONS:

All specifications valid at 25°C

Model No.	523-1-A			523-1-B			Units
	Min.	Typical	Max.	Min.	Typical	Max.	
INPUT							
Power	+4.75	+5.00	+5.25	+4.75	+5.00	+5.25	VDC
Current at max output voltage (100µA load)	-	15	20	-	15	20	mA
Voltage Control (0V = max output)	0	-	+4.5	0	-	+4.5	V
OUTPUT							
Voltage	+20	-	+100	+20	-	+100	V
Current	-	0.1	1.0	-	0.1	1.0	mA
Ripple at max output voltage (100µA load)	-	1	5	-	1	5	mV rms

TEMPERATURE	
Operating	-40°C to +85°C
Storage	-40°C to +100°C
SIZE	1.1" x 0.52" x 0.29" 1.1" x 0.52" x 0.45"
WEIGHT	0.22 Oz. (6.1 grams) 0.26 Oz. (7.5 grams)
CONNECTIONS	Pins

Specifications subject to change without notice.

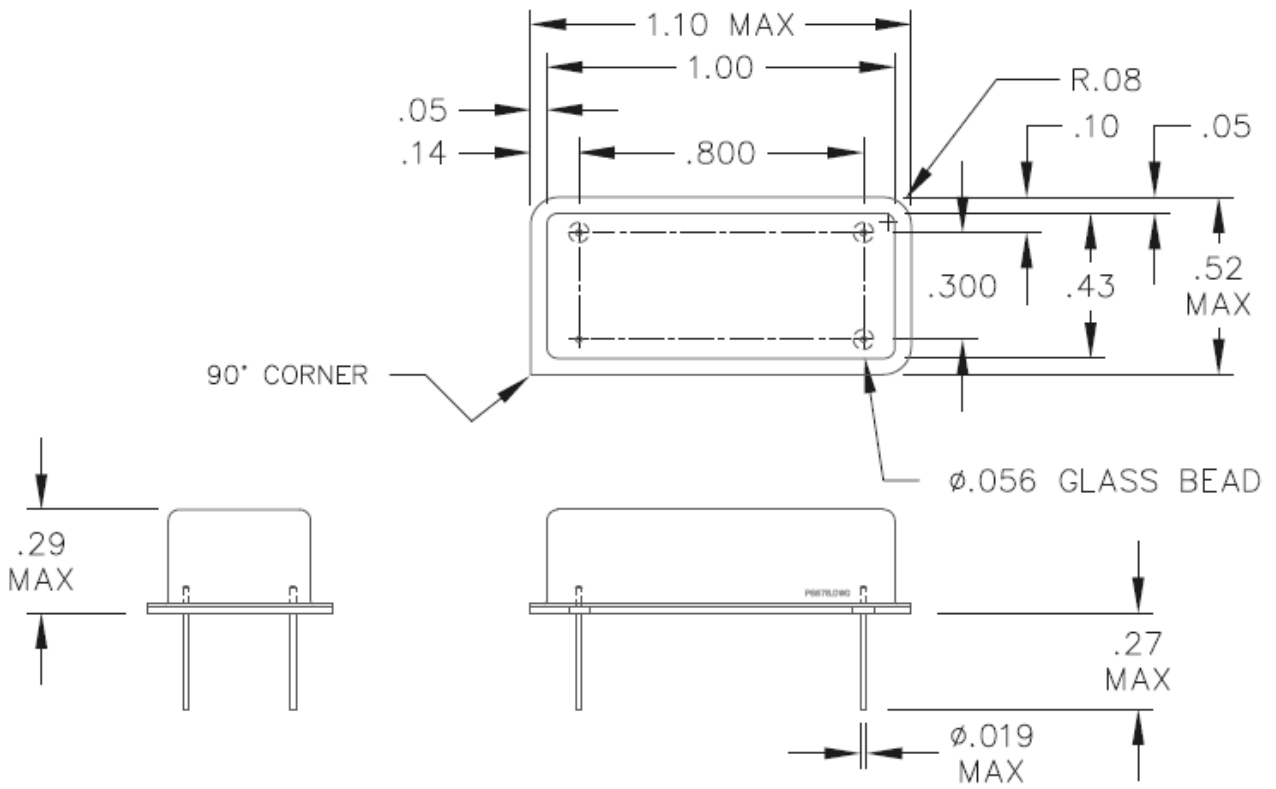


APPLICATIONS:

HV Bias Source for PIN and APD Detectors, Power Supply for Pulsed Emitters

"In the event this commodity will be transferred to a "foreign person" as defined in 22 CFR 120.16, either outside or within the United States, a validated US State Department license is required."

523-1-A DIMENSIONS AND PACKAGE DETAIL



523-1-B DIMENSIONS AND PACKAGE DETAIL

