



CAPACITOR CHARGING POWER SUPPLY

- IDEAL FOR CAPACITOR CHARGING
- OUTPUT VOLTAGE - 0 TO 1500V
- OUTPUT POWER - 150W



DESCRIPTION:

The **Model 568** is a robust DC to DC converter that operates over a wide output voltage range and is ideal for laser capacitor charging up to 1.5kV. With an external capacitor, the Model 568 provides a voltage source adjustable from 0 to 1.5kV. An inhibit input and charge indicator output are provided. Consult factory for OEM configurations.

SPECIFICATIONS:

Input

Voltage +18 to +32VDC, 50V surges per MIL-STD-704D

Output

Voltage 0 to +1500V, standard, common ground (Add -1.5 to part number.)
Contact factory for other output voltages.
Current 800mA into short circuit load
Power 150W (100mA at 1.5kV). See graph on reverse for operation at reduced voltage.

Regulation 15 μ F load, 1kV
Load 0.3%, 0 to 100% load
Line 0.1%/volt

Voltage Control

Internal multi-turn, 10k Ω trimpot
External 0 to 6V proportional control (add -EXT to part number.)

Efficiency 85% typical

External Output Capacitor

>1 μ F must be connected to avoid damage.

Inhibit 2.5 to 24VDC, 10k Ω input impedance

Charge Time 50ms to 1kV (7.5 Joules into 15 μ F)

Charged Output

7V via 4.7k Ω when output voltage is correct; pulses during regulation.

Temperature

Operating -55° to +85°C
Storage -65° to +85°C
Coefficient -0.01%/°C typical

Connections

Control/HV Out/Power
ITT, DBM-13W3S
Mating ITT, DBM-13W3P

Size 3.63" x 3.27" x 2.94"

Weight 1.4 lbs. (0.63Kg.)



Specifications subject to change without notice.

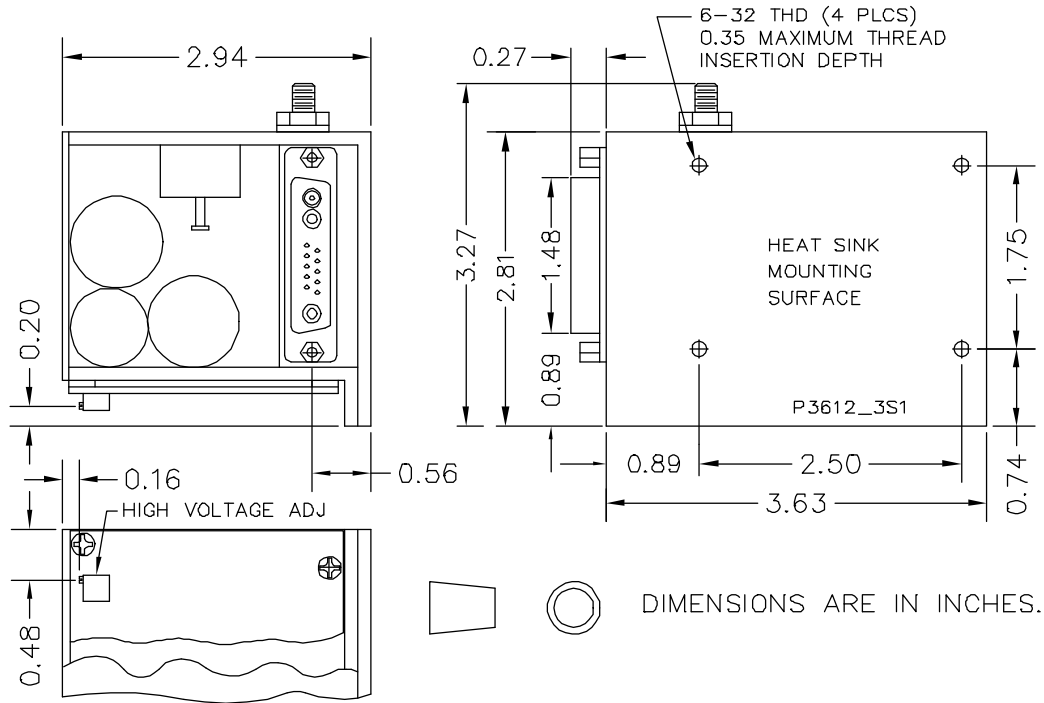
APPLICATIONS:

Capacitor Charger for Solid-State Lasers

| | | | |
|---------------|---------------|--|---|
| | | MODEL NUMBER | |
| | | OUTPUT VOLTAGE | |
| | | Internal multi-turn Trimpot Control | External Trimpot Control via Connector |
| INPUT VOLTAGE | +18 to +32VDC | 568-1.5 | 568-1.5-EXT |

Typical Part Number: **568-1.5** =

Input Voltage: +18 to +32VDC
 Output Voltage: 0 to +1500V
 Voltage Control: Internal multi-turn, 10kΩ trimpot
 Output Power: 150W



NOTES:

1. MATING CONNECTOR & HARDWARE SUPPLIED.

| CONN PLUG-ITT,DBM-13W3S | |
|-------------------------|------------------------------|
| PIN # | SIGNAL NAME |
| A1 | + SUPPLY INPUT |
| A2 | HV/SUPPLY RTN |
| A3 | HV OUTPUT |
| 1 | SIGNAL RTN |
| 2 | INHIBIT +5V |
| 3 | EXT POT,CCW - OPTIONAL |
| 4 | EXT POT,WIPER - OPTIONAL |
| 5 | SIGNAL RTN |
| 6 | SIGNAL RTN |
| 7 | NOT USED |
| 8 | READY (HIGH WHEN REGULATING) |
| 9 | EXT POT,CW - OPTIONAL |
| 10 | SIGNAL RTN |

