



CW ARC LAMP POWER MODULE

- DESIGNED TO MEET EN60601-1
- 5 to 45A CW, 6kW OUTPUT
- LOW COST
- SMALL SIZE
- ISOLATED CONTROL
- ISOLATED INDICATORS



DESCRIPTION:

The **Model 5901** is a low cost, compact, continuous (CW) current source designed to efficiently drive Xenon and Krypton arc lamps. The **Model 5901** can deliver up to 45A of lamp current or up to 6kW of average output power depending on lamp voltage. The modular design of the **Model 5901** allows multiple units to be directly paralleled for >45A applications. The module provides optically isolated indicator and current control lines, excellent line regulation, and low ripple. These features make the **Model 5901** CW Power Module an ideal choice for CW laser applications.

SPECIFICATIONS:

<p>Input</p> <p>Voltage 280 to 410VDC 24VDC at <100mA for control circuits.</p> <p>Output</p> <p>Current 5 to 45A CW, 5 to 60A quasi-pulsed</p> <p>Response Time 600µs typical, 5 to 60A with 6V pulse input (into lamp of $K_o = 25$)</p> <p>Ripple ≤0.22% RMS (at 30A, continuous, 1kHz BW)</p> <p>Voltage 50 to 250VDC</p> <p>Power Up to 6.0kW average</p> <p>Regulation Line 0.2% (typical)</p> <p>Boost Squarewave at 20kHz provided for Model 592T Lamp Igniter Module</p> <p>Efficiency 92% (typical)</p>	<p>Controls Enable (5V @ 10mA) (Isolated) Current Control (0.5 to 4.5V proportional)</p> <p>Indicators Current sense (0.5 to 4.5V proportional) (Isolated) Voltage sense ($V_{out}/100$)</p> <p>Temperature 0° to 40°C</p> <p>Cooling Forced Air, 2 fans @ 110 cfm per fan, recommended</p> <p>Protection Overcurrent Limit (60A), Overtemperature Shutdown</p> <p>Connections</p> <p> Controls/Indicators Panduit Headers Output/Power Spade connectors</p> <p>Size 8.26" (L) x 4.85" (W) x 4.39" (H)</p> <p>Weight 4.5 lbs (≈ 2 Kgs)</p>
--	---

Specifications subject to change without notice.



APPLICATIONS:

*CW Arc Lamp Power Module for AMI Model 893A CW Power Supply Systems,
CW Yag Laser Drive, Medical Applications*

MODEL NUMBER

OUTPUT CURRENT

5 to 45A CW

INPUT VOLTAGE

280 to 410VDC

5901

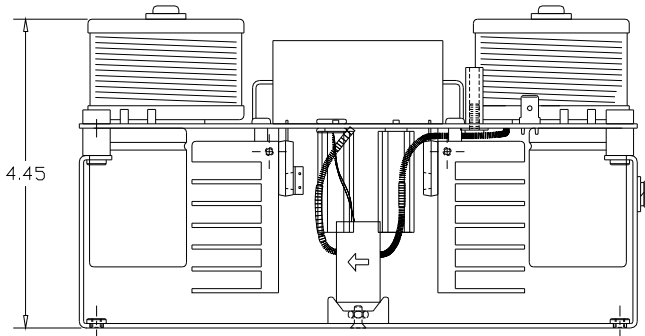
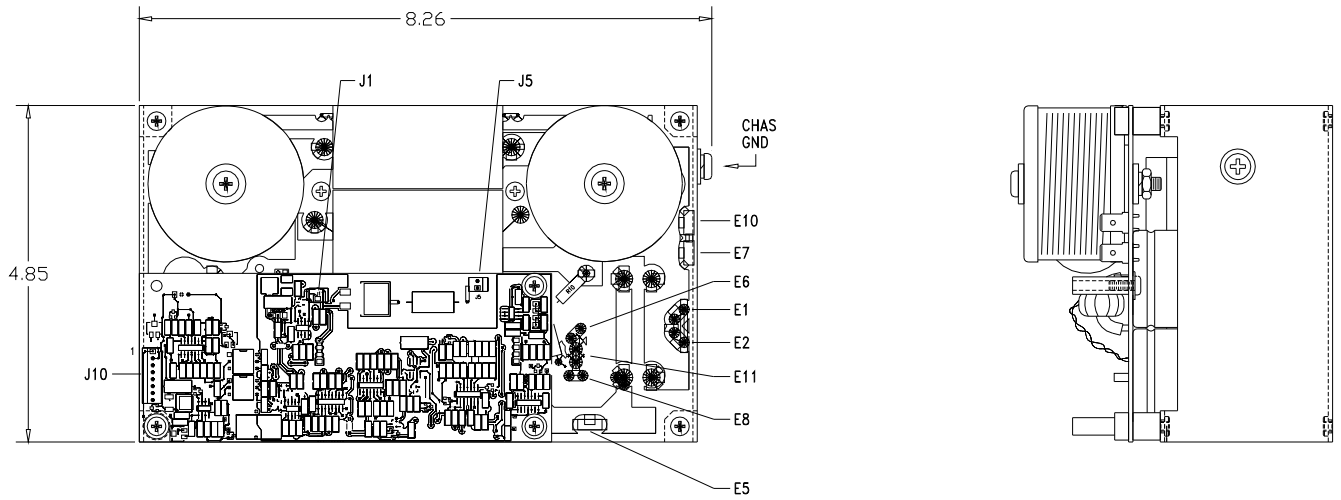
Typical Part Number: 5901 =

Output Current: 5 to 45 Amp CW

Output Voltage: 50 to 250VDC

Input Voltage: 280 to 410VDC

Output Power: 6.0kW



P5715_2