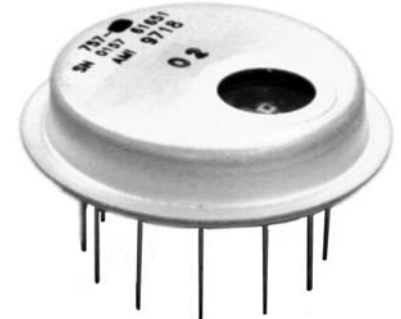




HIGH PERFORMANCE HYBRID EYESAFE LASER RANGEFINDER RECEIVER

- SUPER HIGH SENSITIVITY DOWN TO 18nW
- OPTIMIZED FOR NARROW 10ns PULSES
- HYBRID CONSTRUCTION
- CHOICE OF InGaAs PIN OR APD DETECTORS
- HIGH RESOLUTION OF MULTIPLE TARGETS
- TEMPERATURE CONTROLLED DETECTOR BIAS



DESCRIPTION:

The **Model 757** is a new generation of eyesafe laser rangefinder receivers optimized for ultra high sensitivity and narrow pulses. The single layer construction helps improve detector stability. The window is coated on both sides to reduce losses at 1.54 μ m and the detector is offset from the center to avoid undesirable feedback from input to output. The compact construction and PCB mounting make it ideal for miniature applications requiring improved target fidelity.

SPECIFICATIONS:

Detectors/Sensitivity (50% detection, 6ns pulse, 25°C)

		Model
300 μ m InGaAs PIN	100nW	757-02
80 μ m InGaAs APD	18nW	757-03
200 μ m InGaAs APD	30nW	757-04

Multiple Target Resolution

Small Signal 65ns typical

Dynamic Range 10⁶:1

Temperature Range -32° to +65°C

Sensitivity decreases for temperatures greater than +25°C. Contact AMI for information.

Time Programmed

Gain 100: 1 via external start signal.

Output TTL negative logic,
50ns pulsewidth minimum

Power +12VDC at 45mA typical
-12VDC at 6mA typical
HV Bias 200VDC typical (-03, -04)

Size 1.18" \varnothing x 0.265"

See Application Note, AN-757 for more information.

Specifications subject to change without notice.

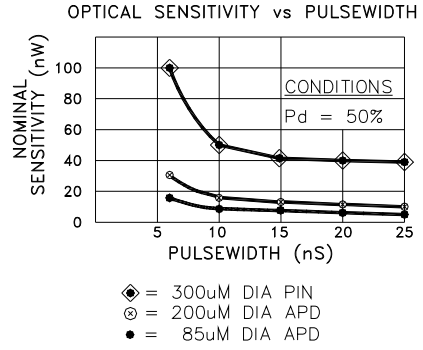
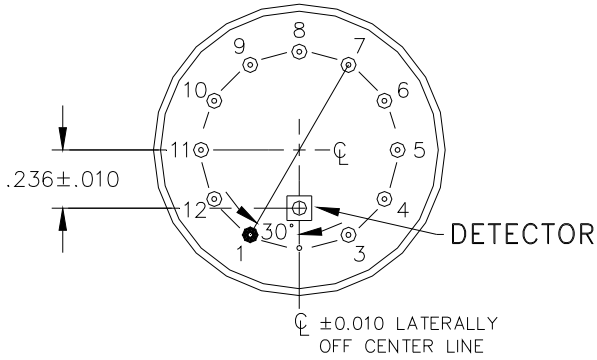


APPLICATIONS:

Laser Ranging and Surveying

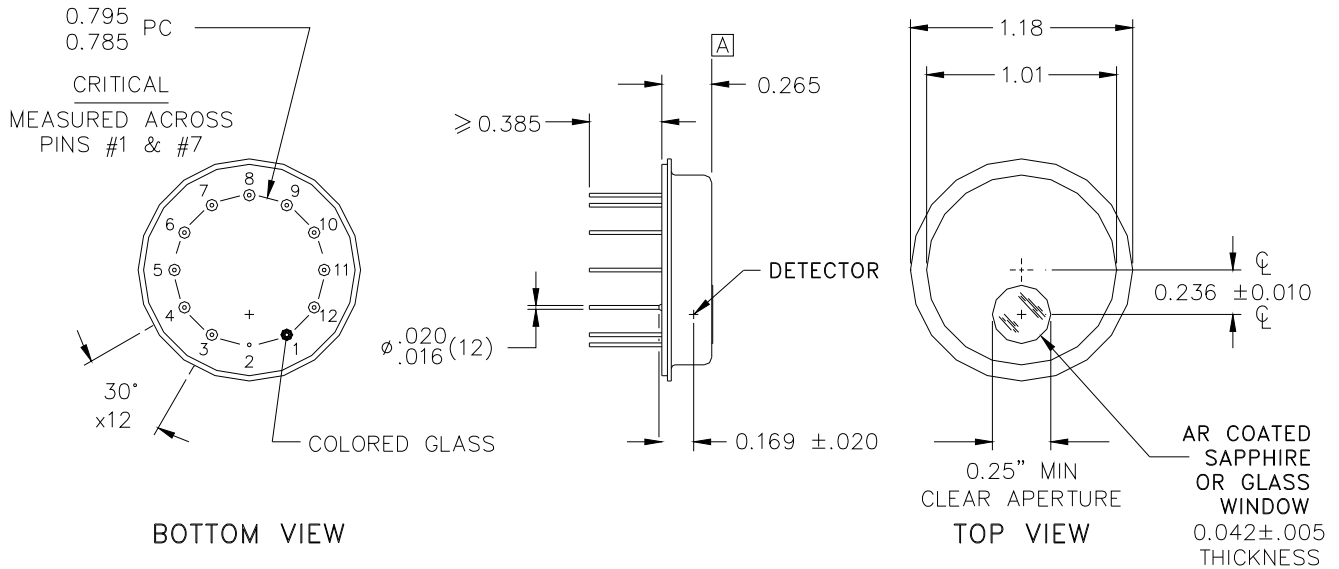
"In the event this commodity will be transferred to a "foreign person" as defined in 22 CFR 120.16, either outside or within the United States, a validated US State Department license is required."

LASER RECEIVER 757
TOP VIEW



3549DSH2

UNLESS OTHERWISE SPECIFIED;
INCHES ± 0.01
INCHES ± 0.005



3549ESH1