



COMPACT CW LASER DIODE DRIVER

- OUTPUT CURRENT UP TO 4.0 AMPS CW
- IDEAL FOR HIGH POWER LASER DIODES
- COMPLIANCE VOLTAGE FROM 1.6 TO 2.7VDC
- COMPACT RUGGED DESIGN
- EXTERNAL CURRENT CONTROL
- 10-30VDC INPUT POWER



DESCRIPTION:

The Model 782 is a single channel, non-isolated, compact CW laser diode driver. The power input is 10-30V nominal with MIL-STD-704E characteristics. Output Current is adjustable from 0.2A to 4.0A with a Control Voltage from 0.0V to 0.5V. Connections via solderable post-type terminals. Unit to be delivered with PCB assembly mounted onto a heatsink.

SPECIFICATIONS:

Input:

Voltage 10 to 30 VDC nominal input voltage.
MIL-STD-704E characteristics.

Output:

Current 0.2 to 4.0 Amps CW
Voltage Compliance 1.6 to 2.7V
Ripple $\pm 0.2\%$

Current Control

Control voltage 0.0V (for minimum current) to +0.5V for 4.0A

Transfer function linear within 10%; stability with respect to temperature, time, and input voltage better than $\pm 2\%$.

Shock/Vibration:

Survive shocks up to 12g in any direction. MIL-STD-810 as applied to helicopter external stores.

Temperature:

Operating -40° to +60°C
Storage -55° to +80°C

Connections:

Solderable posts.

Size:

2.25" x 1.50" x 0.95"
 $\cong 3.5$ Oz.

Specifications subject to change without notice.



APPLICATIONS:

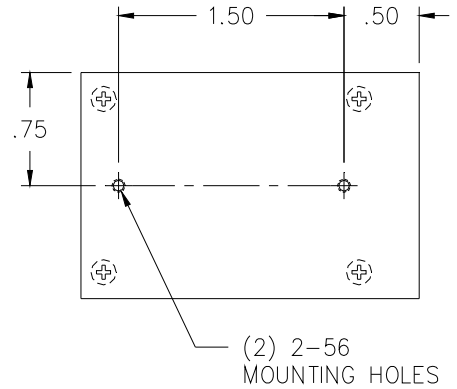
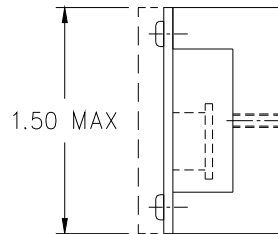
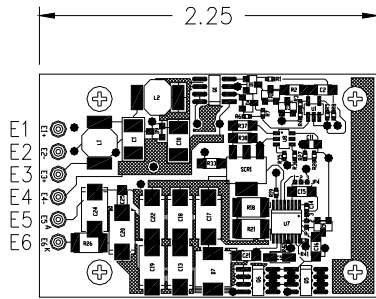
CW Laser Diode Current Source

"In the event this commodity will be transferred to a "foreign person" as defined in 22 CFR 120.16, either outside or within the United States, a validated US State Department license is required."

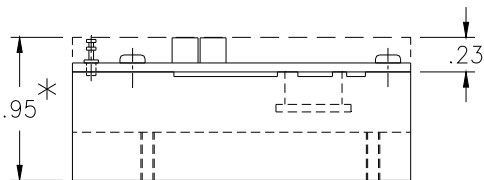
		MODEL NUMBER
		OUTPUT CURRENT
		0.2 to 4.0A
INPUT VOLTAGE	+10 to +30VDC	782

Typical Part Number: 782 =

Output Current: 0.2 to 4.0A
Voltage Compliance: 1.6 to 2.7V
Current Control: 0.0 to 0.5V External Control



P7572_1.DWG



* TYPICAL DIMENSION, HEATSINK SIZE MAY VARY DEPENDING ON APPLICATION REQUIREMENTS